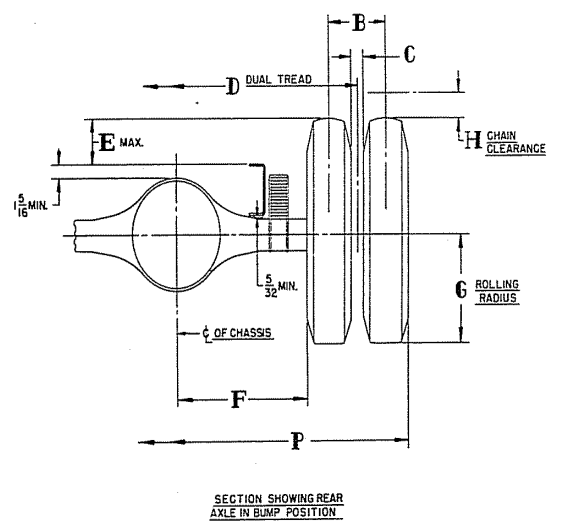
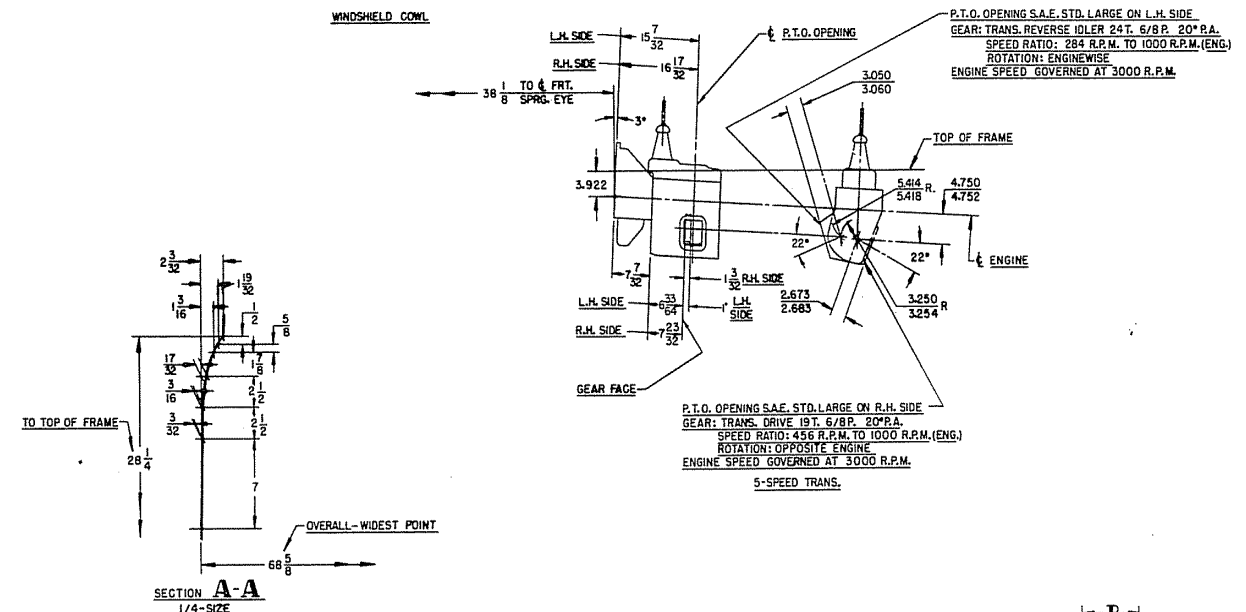
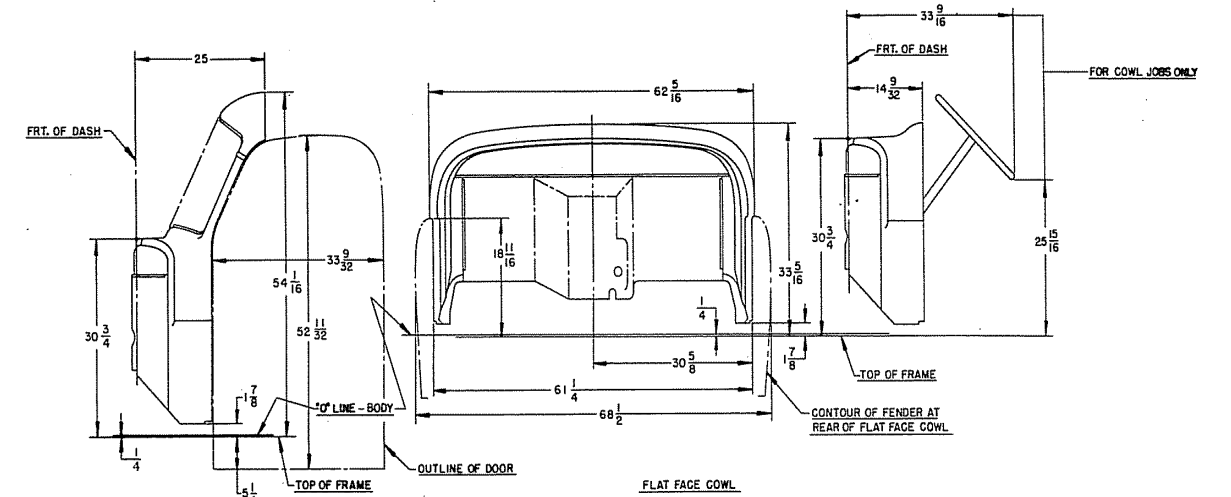


| FRONT SPRINGS | | | |
|---------------|-----------|------------------------------|-----------|
| M | LOAD LBS. | RATE LBS. PER SPRG. PER INCH | SPRG. NO. |
| 12 13/16 | 2200 | 579 | 1251068 |
| 13 3/16 | 2600 | 796 | 1251161 |

| REAR SPRINGS | | | |
|--------------|------------|------------------------------|-----------|
| L | LOAD LBS. | RATE LBS. PER SPRG. PER INCH | SPRG. NO. |
| 5 | 7000 | 2825 | 576735 |
| 14 7/16 | UP TO 3900 | 1450 | |
| 14 7/16 | 8500 | 3420 | 924313 |
| 14 7/16 | UP TO 4910 | 1785 | |



| TIRE SIZE | RIM SIZE | A | B | C | D | E | F | G | H | P |
|--------------|----------|--------|------|--------|-------|-------|-------|-------|-------|---|
| 7.50/20 10P | 20X6 | 70 1/2 | | | | | | | | |
| 8.25/20 10P | 20X6 | 70 1/2 | | | | | | | | |
| 8.25/20 12P | 20X6 | 70 1/2 | | | | | | | | |
| 9.00/20 10P | 20X7 | 68 3/8 | | | | | | | | |
| 10.00/20 12P | 20X7 | 68 3/8 | | | | | | | | |
| 10.00/20 12P | 20X8 | 68 1/2 | | | | | | | | |
| 11.00/20 12P | 20X8 | 68 1/2 | | | | | | | | |
| 8.25/20 10P | 20X6 | 11 | 2.07 | 70 3/8 | 7.86 | 25.22 | 18.07 | 4 | 90.30 | |
| 8.25/20 12P | 20X6 | 11 | 2.07 | 70 3/8 | 7.86 | 25.22 | 18.14 | 4 | 90.30 | |
| 9.00/20 10P | 20X7 | 13 | 2.75 | 70 3/8 | 8.81 | 23.56 | 18.89 | 4 | 93.62 | |
| 10.00/20 12P | 20X7 | 13 | 2.38 | 70 3/8 | 8.61 | 23.37 | 19.68 | 4 1/2 | 94.00 | |
| 11.00/20 12P | 20X8 | 12.84 | 1.53 | 70 3/8 | 10.26 | 22.11 | 21.10 | 4 1/2 | 94.32 | |

NOTE: ABOVE CHART FOR PROD. 21000* G.V.W. JOBS.
FOR EX. EQ. 23000* G.V.W. JOBS ADD 1/2 TO "D" & "P", & ADD 1/4 TO "F"

BODY BUILDERS LAYOUT
T, TA, V, VA 130" 136" W.B. (TRACTOR)

T, TA, V, VA